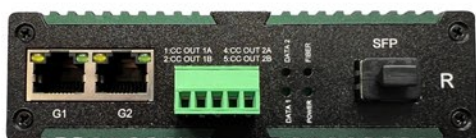


# LSW1G2C2, LOLG1Gxxx - Mediaconverter industriale su fibra ottica



LSW1G2C2 receiver

### LSW1G2C2

- 1x SFP 1G slot
- 2x monodirectional contacts, always open
- 2x RJ45 10/100/1000Base-T Port, with the auto-negotiation speed, half/full-duplex
- Each port has the complete LED Indicator light
- Support IEEE802.3, IEEE802.3u e IEEE802.3z
- Dual power interface, over-current protection
- DIN rail installation
- Requires no configuration and will instantly operate as soon as you power it up

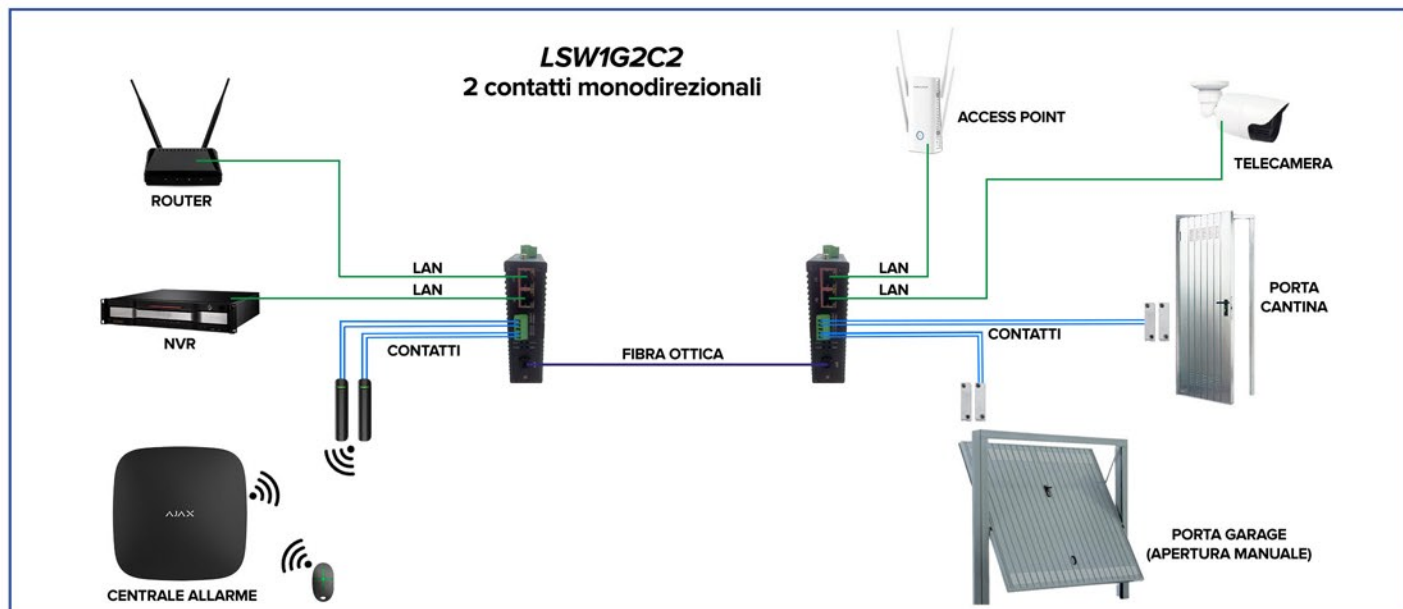
SPECIFICA	LSW1G2C2
<b>RJ45 Ports Parameters</b>	
Connector	2x RJ45
Transmission Rate	10/100/1000 Mbps
UTP Type	UTP-5e or higher
Distance	0 ÷ 100 m
<b>Fiber Port Parameters</b>	
Connector	1x SFP slot
Data rate	1.25 Gbps
Optical wavelength	MM 850, 1310 nm / SM 1310, 1550 nm
Distance	MM up to 2 Km / SM up to 20 Km
<b>Contact parameters</b>	
Type	2x monodirectional contacts, always open
Input power range	5 Vdc (dry node)
Physical interface	Industrial terminal blocks 3.81 mm
Contact Relay	240 Vac / 30 Vdc - 30W
<b>Power</b>	
Input voltage / Power	12 ÷ 52 Vdc - 125 mA max
Connector	6 pin industrial terminal blocks 5.08 mm
<b>Environment</b>	
Protection	IP40
Operating temperature	-20° ÷ +75° C
Relative humidity	5 to 95% (no condensation)
<b>Physical characteristics</b>	
Dimension	250 x 140 x 75 mm
Weight	0.35 Kg
Material	Aluminium alloy



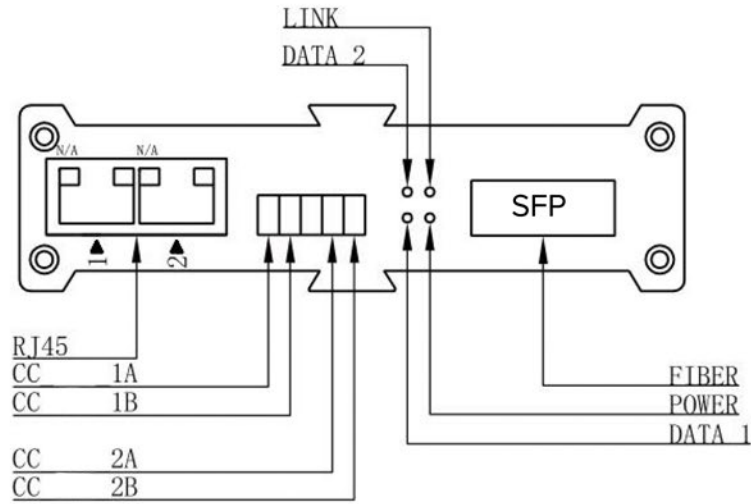
LOLG1Gxxx



- LOLG1G04D:** Module SFP 1000BASE, 850 nm FP, MM, 0,5 Km, 10 dB DDMI Duplex LC
- LOLG1G06D:** Module SFP 1000BASE, 1310 nm FP, MM, 2 Km, 10 dB DDMI Duplex LC
- LOLG1G06D-35:** Modulo SFP 1000BASE-BX-U (TX 1310 - RX1550) BIDI 1310 nm, MM, 2 Km, 10 dB FP Simplex LC
- LOLG1G06D-53:** Modulo SFP 1000BASE-BX-D (TX 1550 - RX1310) BIDI 1550 nm, MM, 2 Km, 10 dB FP Simplex LC
- LOLG1G20D:** Module SFP 1000BASE-LX 1310 nm FP, SM, 20 Km, 15 dB DDMI Duplex LC
- LOLG1G20D-35:** Module SFP 1000BASE-BX-U (TX 1310 - RX1550) BIDI 1310 nm FP, SM, 20 km, 14 dB DDMI Simplex SC
- LOLG1G20D-53:** Module SFP 1000BASE-BX-D (TX 1550 - RX1310) BIDI 1550 nm DFB, SM, 20 Km, 14 dB DDMI Simplex SC



## 2 Channel Gigabit Ethernet and 2 Channel Forward Contact Closure



### LED indicator status description

Silk-screen	State description	
POWER	Light on: the device is powered on	Light off: the device is powered off
LINK	Light on: fiber signal	Light off: no fiber signal
N/A	Light on: the device is connected Blinking: Data works	Light off: no data signal
DATA 1	/	/
DATA 2	/	/

### Panel silk screen printing description

Silk-screen	Corresponding indicator light	Description
FIBER	LINK	Fiber module
RJ45	N/A	10/100/1000M
CC 1A		Contact Closure 1A data
CC 1B		Contact Closure 1B data
CC 2A		Contact Closure 2A data
CC 2B		Contact Closure 2B data

### Connection Diagram of 2 Channel Forward Contact Closure

